

DATASHEET

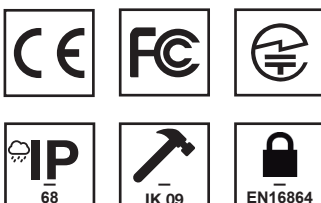
SALTO NEOXX G4 ELECTRONIC PADLOCK

Fully integrated with the SALTO SPACE and SALTO KS platforms, the SALTO Neoxx padlock is a versatile, cost-effective electronic padlock with a robust design that brings the latest technology to your SALTO access control system.

www.saltosystems.com

TECHNICAL SPECIFICATIONS:
SALTO NEOXX G4 ELECTRONIC PADLOCK. NxP4

SALTO
inspiredaccess



TECHNICAL DATA:

Housing dimensions:	70mm x 174mm x 32mm
Shackle length:	50mm
Shackle width:	11mm
Weight:	1.065g
IP class:	IP68
Certifications:	CE, FCC/IC, RCM, MIC, IK09, EN16864:2018
Power source:	4 LR1 alkaline batteries *
Number of openings:	Up to 130.000
Maximum events on lock audit:	Up to 2.200 (non volatile memory)
Environmental conditions:	-35°C/ +65°C (without condensation)

* SALTO recommends to use specific batteries brands and models to ensure a correct battery life, please consult SALTO.

ID TECHNOLOGIES:

MIFARE:*	•
Bluetooth LE:	•
NFC:	•
Legic:**	—
HID iCLASS® Seos™:	•
Picopass:	—

* MIFARE® (DESFire EV2, Plus, Ultralight C, Classic - ISO/IEC 14443)

** Legic Prime and Legic Advant

TECHNOLOGY PLATFORMS:

SALTO SPACE:

Smile - Selfprogrammable	—
ROM:	—
SVN data-on-card:	•
SALTO Wireless RFnet enabled:	—
SALTO Wireless BLUEnet enabled:	•

SALTO KS:

SALTO KS:	•
-----------	---

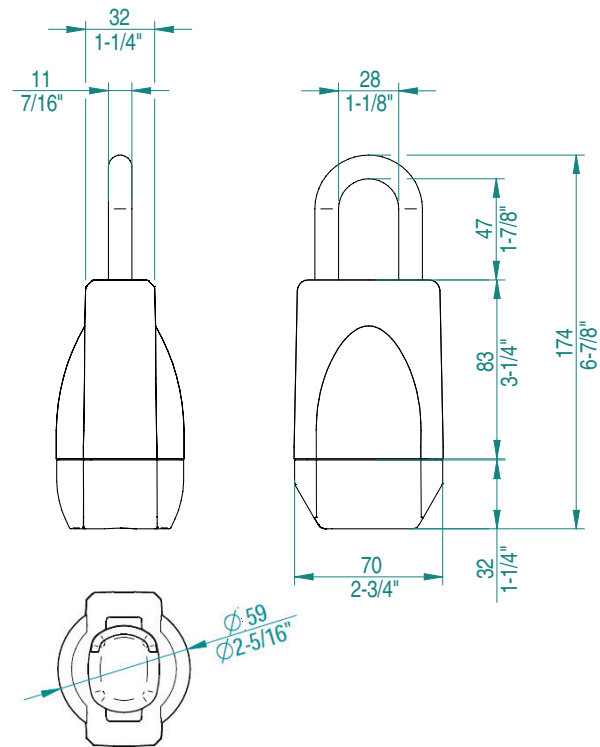
SALTO SALLIS:

SALLIS:	—
---------	---



Contact:
Electronic Security Solutions, Inc.
 1225 Shiloh Boulevard, #69
 Zion, Illinois 60099
 847.767.3100

TECHNICAL DRAWING:



OPENING MODES:

Standard:	•
Office mode:	•
Timed office:	•
Automatic opening:	•
Automatic opening + office	•
Toggle:	•
Timed Toggle:	•
Amok mode:	—
Exit leaves open mode:	—

OPTIONS:

READER COLOUR:

Black:	•
White:	—

FINISHES:

Satin chrome	—
Polished chrome	•
PVD bright brass type	—
PVD satin brass type	—
Satin chrome black	—
BioCote® (Satin chrome)	—
Housing colour:	•
Black mat (Rubber finish)	•

¹ depending on the programming mode